

MEGAMc[®] 1648 SERIES 2

Fusion Capability for 16" OD to 48" OD (450mm — 1200mm)



OVERVIEW

The McElroy **MegaMc[®] 1648 Series 2** butt fuses pipe sizes from 16" OD to 48" OD (450mm to 1200mm). It features the same fusion carriage as its tracked counterpart and incorporates many improvements including a removable 3- or 4-jaw fusion carriage for in-ditch work. An electric-powered hydraulic system gives the Series 2 twice the amount of force capability to assist in all fusion functions, including the complete operation of the jaws, pipe lifts, heater and facer.

Originally designed to serve the large-diameter needs of the water and sewer industry, this machine allows for the butt fusion of most fittings without special holders or the removal of the outer jaw. Mitered inserts are available for fabricating ell.

FEATURES

- Patented Centerline Guidance System for equal distribution of force around the joint
- Removable heater, facer and 3- or 4-jaw carriage for in-ditch use
- ISO-compliant industrial Teflon-coated heater plates
- Advanced blade design for smooth face and long life
- 3,000 PSI system pressure for increased fusion capability
- Outriggers for machine stability and leveling
- Dual hydraulic pipe lifts aid in loading and unloading pipe
- Ergonomic operator platform for increased visibility
- Serrated jaws and inserts to keep pipe from slipping during fusion
- Hydraulic-pivoting heater and facer
- Heater Element Failure detection
- Ability to interchange carriage with the TracStar[®] 1200
- DataLogger[®] compatible
- Remote motor stop/start capabilities

SPECIFICATIONS

CAPACITY

Fuses Pipe Sizes: 16" OD - 48" OD (450mm - 1200mm)

MODELS

A4861701: High Cylinder Force, 220V-240V, 50/60Hz, 3 Phase
 A4861702: Medium Cylinder Force, 220V-240V, 50/60Hz, 3 Phase
 A4861703: High Cylinder Force, 380-415V, 50Hz, 3 Phase
 A4861704: Medium Cylinder Force, 380-415V, 50Hz, 3 Phase

WEIGHT*

*Machine weights are with fluids full. Inserts not included in weight.

Machine: 11,787 lbs. (5,346 Kg)
 4-Jaw Carriage: 7,450 lbs. (3,379.3 Kg)
 3-Jaw Carriage: 3,680 lbs. (1,669 Kg)
 Facer: 775 lbs. (351.5 Kg)
 Heater: 600 lbs. (272.2 Kg)
 Spreader Bar: 500 lbs. (226.8 Kg)

HYDRAULICS

System Pressure: 3,000 PSI (207 BAR) Max.
 Hydraulic Reservoir Capacity: 23 Gallons (87 Liters)
 Motor: 25 HP, 3 Phase, 50/60Hz @ 240V
 20 HP, 3 Phase, 50 Hz @ 415V

POWER

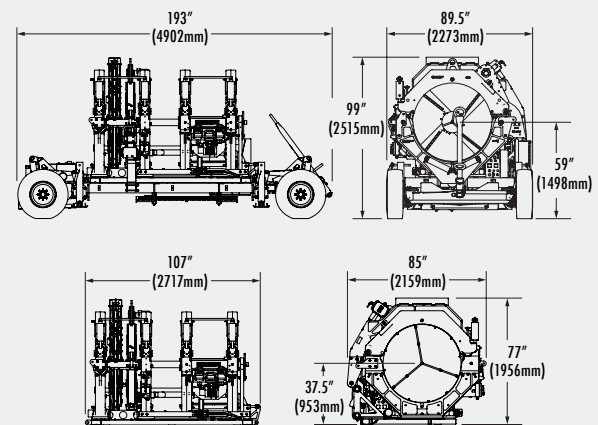
Heater Power: 35,000 Watt
 Facer Power: Hydraulic

CHASSIS

Frame: Welded steel tube construction
 Front Axle: Articulating

MOBILITY

Tires: ST 235 80R16 10 ply, 3520 lbs. (1596 Kg) capacity
 Transportation: Pulled via towing ring
 Lifting: Lift points and lifting assembly



MEGAMC 1648 SERIES 2

INCLUSIONS

The MegaMc 1648 Series 2 includes fusion machine, facer, heater and lifting assembly. Specifications subject to change without notice.